

# WBGT-113

## Heat Stroke Checker

for Prevention of Heat Stroke in Working Fields !

American Conference of Governmental Industrial Hygienists and Japan Society for Occupational Health advocates WBGT index for integrated evaluation of thermal environments in order to manage better health care in prevention of heat stroke.

**What is the most dangerous physical accident while working fields in high heat environment?  
It is Heat Stroke that attacks healthy people!**

Measures how **HOT** it is .....  
It meters high heat.



- Read WBGT index easily by hand-held metering.
- Display appears instantly when power is turned on.
- Display can be switched to temperature, relative humidity and globe temperature.

**KYOTO ELECTRONICS**

## Prevention of Heat Stroke

Heat stroke suddenly occurs to healthy persons in working fields, but it can be avoided by adequate preventive measures. Once someone dies from heat stroke in working fields, responsibility of the manager would be questioned, and the leader may be sued in some cases, which actually happened in the past. In order to prevent heat stroke in working fields, the occupational health care organizations in the world agree to recommend to the public the measurement of WBGT index, which shows thermal conditions in the surroundings and indicates integrated evaluations. **This vital WBGT index can be easily measured by a handy portable type meter like the WBGT-113 designed for the wide spread use.**

### Criteria of permissible high heat in physical labor

WBGT	
32.5	Very light work
30.5	Light work
29.0	Medium work
27.5	Medium work
26.5	Heavy work

\*The above chart is recommended by Japan Society for Occupational Health.

### Operation procedures

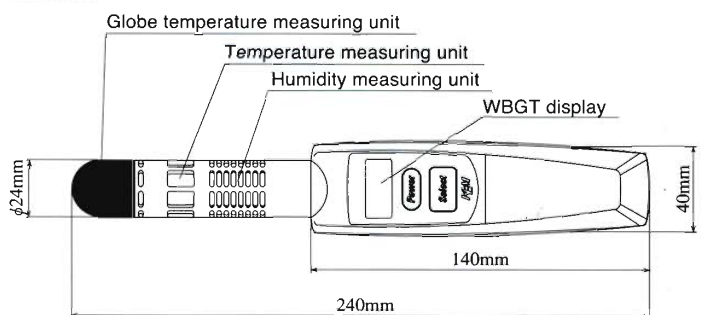
Power ON	WBGT index appears
↓	
Switch ON	Temperature appears
↓	
Switch ON	Relative humidity appears
↓	
Switch ON	Globe temperature appears

\*Indoor/outdoor measurement can be switched.

### Specifications

Type and model name	WBGT-113 Heat Stroke Checker	
Measuring range	WBGT	: 0 ~ 50°C
	Temperature	: 0 ~ 50°C
	Relative humidity	: 10 ~ 90%RH
	Globe temperature	: 0 ~ 80°C
Precision (In light breeze environment)	WBGT	: ±2°C (15 ~ 35°C)
	Temperature	: ±1°C (15 ~ 40°C)
	Relative humidity	: ±5% (20 ~ 80%)
	Globe temperature	: ±2°C (15 ~ 50°C)
Battery life	Approximately 70 hours in continuous use	
Power source	AAA dry cell (1.5V) x 2	
Weight	Approx. 150g	
Accessories	Carrying case	1 piece
	AAA dry cell (1.5V)	2 cells
	User's manual	1 copy

### Appearance and dimensions



**XEBEX INTERNATIONAL, LTD.**

**105. Shakujii-machi 2-1-4, Nerima-ku, Tokyo 177-0041, Japan**

Fax. 81-3-5372-2583

E-mail : info@xebex.jp